



Heavy duty handling solutions

Technical specifications

FLC 100 289THD



Keep on moving

FLC 100 289THD

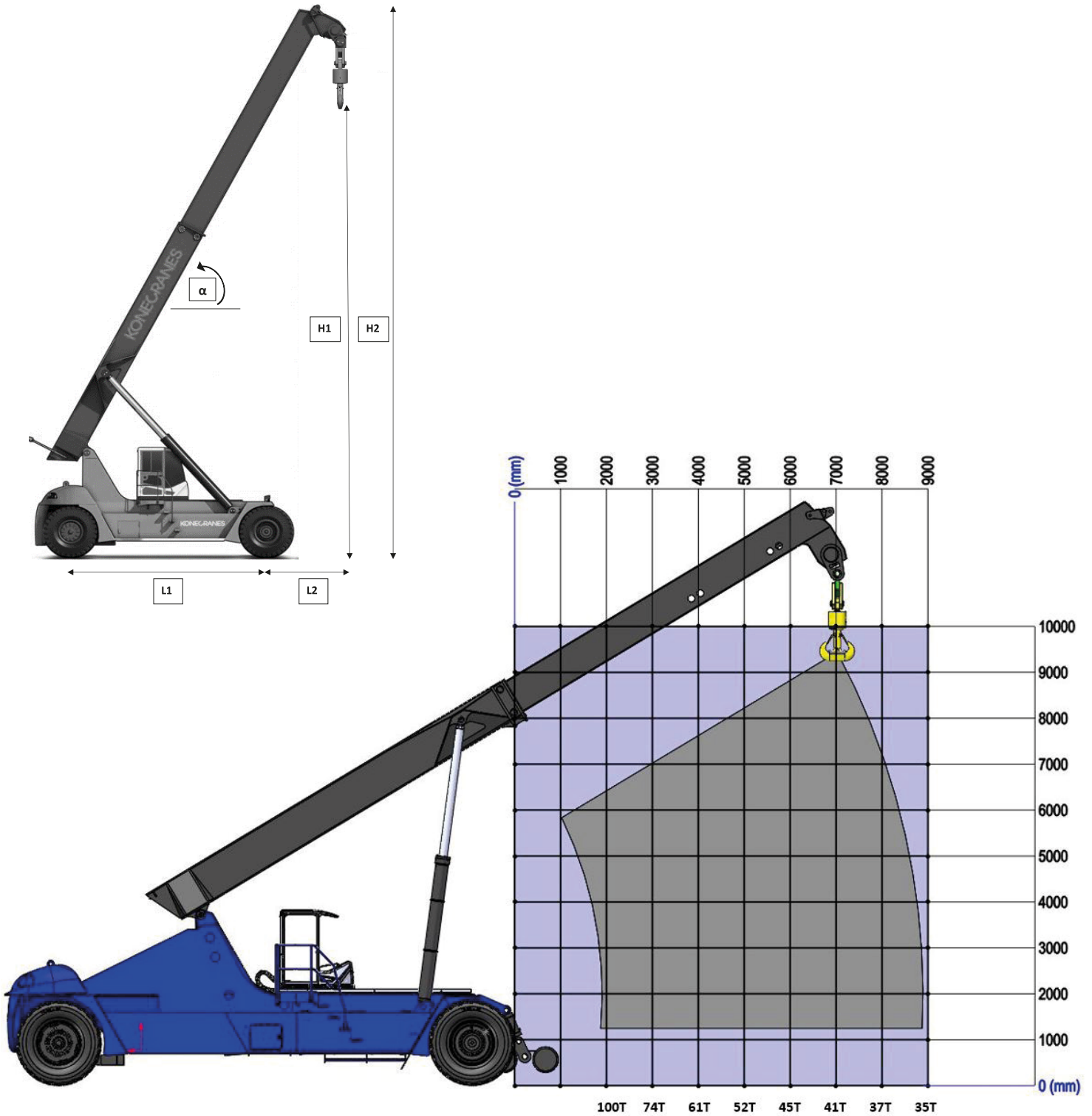


Lift		
Maximum lift height	mm	8,010
Minimum height at hook	mm	2,550
Lift capacity load center L1 (center front axle) - 2890 mm	L1/kg	100,000
Lift capacity load center L2 (center front axle) - 4780 mm	L2/kg	62,500
Lift capacity load center L3 (center front axle) - 7280 mm	L3/kg	19,000
Maximum sideway degree of gradient	%	2
Speed		
Travelspeed, forward with max. load / without load	km/h	0/26
Travelspeed, back with max load / without load	km/h	0/26
Tractive force with maximum load at 0 km/h 10 km/h (adjustable)	kN	260/214
Weight/Dimensions		
Service weight	kg	83,520
Axle load, front at load center L1 without/with load	kg	34,700 / 166,144
Length	mm	13,330
Width	mm	4,160
Height	mm	4,718
Wheelbase	mm	9,000
Engine		
Engine manufacturer / designation of type	Volvo TAD-1181-VE (265 kW, 2100 Nm, 10.84 L, Stage 5)	
Fuel / engine type	Diesel / 4-stroke	
Power ISO 3046 / during traveling	kW / rpm	265 / 2100
Moment ISO 3024 / during traveling	Nm / rpm	1785 / 1265
Displacement / Number of cylinders	L	10,8 / 6
Fuel consumption at normal travel speed	ltr/h	15-18
Alternator, type/ power	W / Amp	AC / 1820 / 65
Starter battery, voltage / capacity	V / Ah	2 x 12 / 140
Transmission		
Transmission, manufacturer / designation of type	DANA Autom. Transmission TE-30	
Type of drive control	Torque converter	
Type of coupling	Powershift	
Number of gear, forward and rear	5/3	
Drive axle, type	Kessler D102	
Wheels		
Number of wheels, front / rear	4 / 2	
Wheel dimensions, front / rear / ply	In / No	18.00 x 33" / PR 40
Pressure, front and rear	Bar	10
Steering and brake system		
Steering system	Servo assisted	
Driving brake system, type / affected wheels	Wet disch brakes / Driv axle	
Parking brake system, type / affected wheels	Spring brake / Drive axle	
Norms & Standards		
Machine Directive in Europe 2006 / 42 / EC	yes	
Stability of Industrial Trucks ISO 13562	yes	
Safety of Industrial Trucks EN 1459:1998	yes	
Noise level (Inside Cab / Lm) DIN 45635	dB(A)	66

FLC 100 289THD



Lifting angle	H1 (Lifting Height)	H2 (Max boom height)	L1 (Wheel distance)	L2 (Load distance)	Lifting capacity
$\alpha = 0^\circ$	2740 mm	4675 mm	9000 mm	2980 mm	96 MT
$\alpha = 31^\circ$	8010 mm	9950 mm	9000 mm	2890 mm	100 MT



FLC 100 289THD

