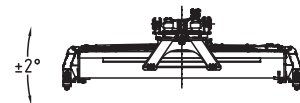
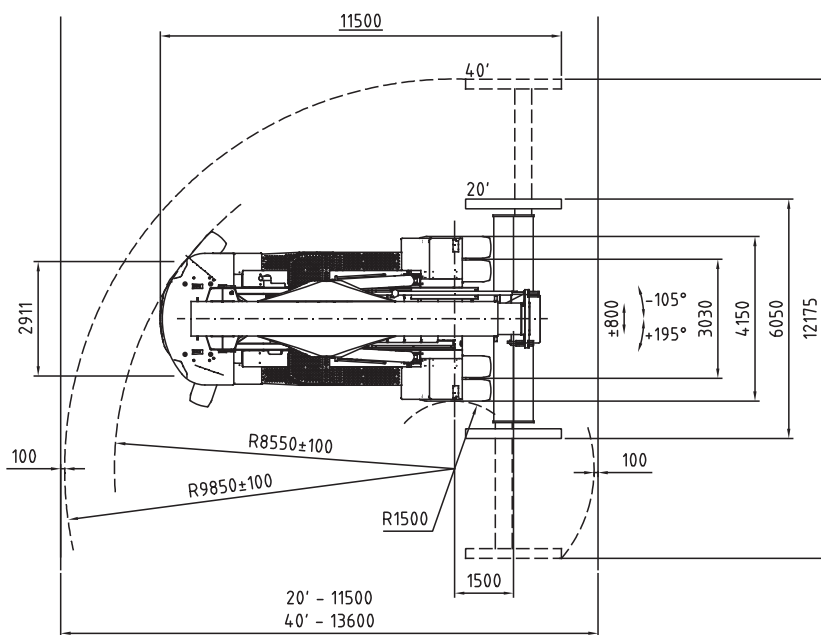
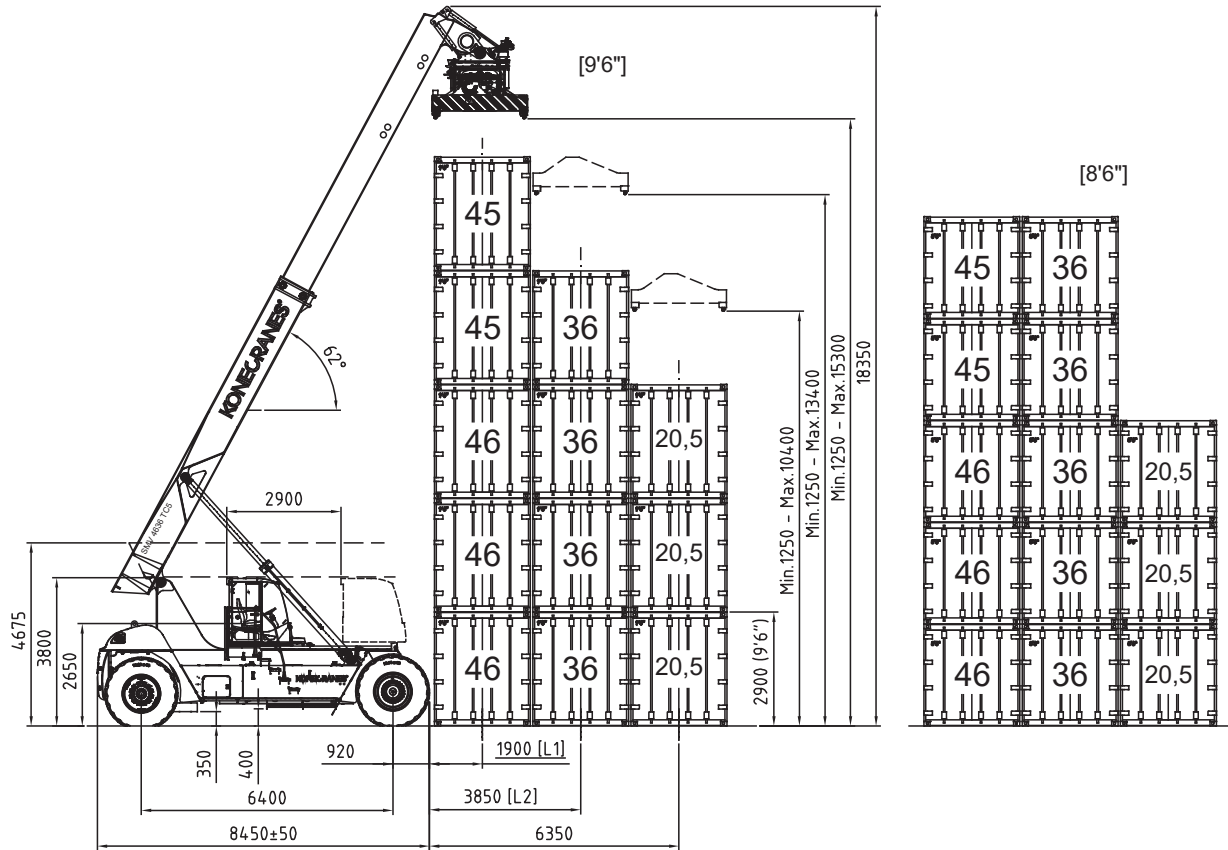


**TECHNICAL DATA : SMV 4636 TC5**

Machine type		SMV 4636 TC5
<b>LOAD HANDLING DATA</b>		
Lifting capacity (LC1 /LC2 /LC3)	kg	46 000 / 36 000 / 20 500
Lifting capacity (LC1 /LC2 /LC3) at max lifting height	kg	45 000 / 36 000 / 20 500
Load center (LC1 /LC2 /LC3)	mm	1 900 / 3 850 / 6 350
Lifting speed, unloaded / at 40% of rated load / at 70% of rated load	m/s	0,38 / 0,35 / 0,23
Lowering speed, unloaded / at rated load	m/s	0,35 / 0,40
<b>DRIVING DATA</b>		
Drive speed forward, unloaded / at rated load	km/h	26 / 23
Drive speed reverse, unloaded / at rated load	km/h	18 / 17
Incline (driving ability) at rated load at 0 km/h / at 2 km/h	%	30 / 20
Towing (power ability) at rated load at 0 km/h / at 2 km/h	kN	351 / 249
<b>SERVICE WEIGHT / AXLE LOADS</b>		
Service weight	kg	78 500
Axle loads front LC1, unloaded / at rated load	kg	37 000 / 103 200
Axle loads front LC2, unloaded / at rated load	kg	41 400 / 104 400
Axle loads front LC3, unloaded / at rated load	kg	46 900 / 90 800
Axle loads rear LC1, unloaded / at rated load	kg	41 500 / 21 300
Axle loads rear LC2, unloaded / at rated load	kg	37 100 / 10 100
Axle loads rear LC3, unloaded / at rated load	kg	31 600 / 8 200
Axle loads in driving position, front/rear (at rated load)	kg	91 400 / 33 100
<b>ENGINE</b>		
Engine make, model name		Volvo TAD1181-VE
Emission approval EU / US		Stage V
Monitoring / emission controlled / CanBus		Yes / yes / yes
Fuel / type of engine		Diesel / 4-stroke CI
Rated power ISO 3046 / max speed	kW / rpm	265 / 2 100
Rated torque ISO 3046 / at speed	Nm / rpm	1 795 / 1 400
Displacement / No. of cylinders / configuration	L //	10,8 / 6 / Inline
Fuel consumption, normal operations	L/h	15 - 18
Alternator, type / power / amperage	W / Amp	AC / 3 080 / 110
Starting battery, voltage / capacity	V / Ah	2 x 12 / 140
<b>TRANSMISSION</b>		
Transmission make, model name		DANA TE-30
Monitoring / reverse protection / CanBus		Yes / yes / yes
Clutch, type		Torque converter
Transmission type / type of shift gear		Softshift – Powershift / Automatic
No. of gears, forward / reverse		5/3
<b>DRIVE AXLE &amp; STEER SYSTEM</b>		
Drive axle make, model name		Kessler D102
Drive axle type		Differential + hub reduction
Service brake, type / affected wheels		Oil cooled Wet Disc Brakes / drive wheels
Parking brake, type / affected wheels		Dry disc brake / spring applied / drive wheels
<b>STEER AXLE &amp; STEER SYSTEM</b>		
Steer axle make / type		Konecranes / double acting single cylinder
Steering system		Hydraulic servo assisted / power steering
<b>WHEELS</b>		
Number of wheels, front+rear / Type (*driven)		4*+2 / pneumatic
Tire pressure front / rear	MPa	1,0 / 1,0
Tire dimensions (Ply rating) front / rear	Inch (No)	18.00 x 33" (PR 40) / 18.00 x 33" (PR 40)
Rim dimension front / rear	Inch	13.00 x 33" / 13.00 x 33"
<b>HYDRAULIC SYSTEM</b>		
Hydraulic pump make, model name		Parker P2-series
Hydraulic system / pump type		Load sensing system / variable axial piston pump
Power-on-demand / Low energy / Separate tanks		Yes / yes / yes (hydraulics & Brakes)
Hydraulic oil pressure boom / spreader	MPa	24 / 15
<b>TANK VOLUMES</b>		
Fuel tank volume	L	650
Hydraulic tank volume	L	850
<b>LIFTING EQUIPMENT &amp; SPREADER</b>		
Spreader make / type		ELME 817-MPS / Toplift (container)
Spreader functions		20-40 ft containers
Spreader locking containers + trailer / lifting eyes		4 x top twist locks / 4x in the corners
Sideshift stroke / rotation / pile slope type (pile slope stroke)		±800 mm / +195 - 105 manual MPS (±2 deg)
<b>OTHERS</b>		
Noise level (inside Cab / Lm), DIN 45635	dB(A)	68
Noise level (inside Cab/ LpAZ), EN 12053 (EU + EFTA only)	dB(A)	73
Maximum Noise level (outside Lwa), 2000/14/EC (EU + EFTA only)	LWA	109
Sliding cabin / stroke		Manual / 2 900 mm
<b>NORMS &amp; STANDARDS</b>		
Stability of Industrial Trucks ISO 13562		Yes
Safety of Industrial Trucks EN ISO 3691-2		Yes

TECHNICAL DATA : SMV 4636 TC5



191110 / 1