



## RX 20 Technical Data Electric Forklift Truck

---

[RX 20-14C/Li-Ion](#)

[RX 20-16C/Li-Ion](#)

[RX 20-16/Li-Ion](#)

[RX 20-16L/Li-Ion](#)

[RX 20-18/Li-Ion](#)

[RX 20-18L/Li-Ion](#)

[RX 20-20L/Li-Ion](#)

[RX 20-16P/Li-Ion](#)

[RX 20-16PL/Li-Ion](#)

[RX 20-18P/Li-Ion](#)

[RX 20-18PL/Li-Ion](#)

[RX 20-20P/Li-Ion](#)

[RX 20-20PL/Li-Ion](#)



**RX 20 Electric Forklift Truck  
Electrifying**

This specification sheet, which conforms to VDI guideline 2198, provides the technical values for the standard equipment only.  
Different tyres, other masts, additional equipment etc. may produce different figures.



|                      |   |  |                    | STILL                            | STILL                   | STILL                  | STILL                   | STILL                  | STILL                   | STILL                   |
|----------------------|---|--|--------------------|----------------------------------|-------------------------|------------------------|-------------------------|------------------------|-------------------------|-------------------------|
| Distinguishing marks | 1.1   | Manufacturer   |                    |                                  |                         |                        |                         |                        |                         |                         |
|                      | 1.2   | Manufacturer's type designation                            |                    | <b>RX 20-14C/Li-Ion</b>          | <b>RX 20-16C/Li-Ion</b> | <b>RX 20-16/Li-Ion</b> | <b>RX 20-16L/Li-Ion</b> | <b>RX 20-18/Li-Ion</b> | <b>RX 20-18L/Li-Ion</b> | <b>RX 20-20L/Li-Ion</b> |
|                      | 1.2.1   | Manufacturer type number                                   |                    | 6219                             | 6220                    | 6221                   | 6222                    | 6223                   | 6224                    | 6225                    |
|                      | 1.3   | Drive  |                    | Electric                         | Electric                | Electric               | Electric                | Electric               | Electric                | Electric                |
|                      | 1.4   | Operation  |                    | Seated                           | Seated                  | Seated                 | Seated                  | Seated                 | Seated                  | Seated                  |
|                      | 1.5   | Capacity/load  | Q                  | kg                               | 1400                    | 1600                   | 1600                    | 1600                   | 1800                    | 2000                    |
|                      | 1.6   | Load centre  | c                  | mm                               | 500                     | 500                    | 500                     | 500                    | 500                     | 500                     |
|                      | 1.8   | Load distance  | x                  | mm                               | 374                     | 374                    | 374                     | 374                    | 374                     | 388                     |
|                      | 1.9   | Wheel base   | y                  | mm                               | 1319                    | 1319                   | 1409                    | 1517                   | 1409                    | 1517                    |
| Weights              | 2.1   | Service weight (incl. battery)                             |                    | kg                               | 2926                    | 3125                   | 3057                    | 3127                   | 3231                    | 3486                    |
|                      | 2.2   | Axle load, laden   | front/rear         | kg                               | 3826/500                | 4160/565               | 4112/545                | 4133/594               | 4440/590                | 4450/769                |
|                      | 2.3   | Axle load, unladen   | front/rear         | kg                               | 1498/1428               | 1500/1625              | 1520/1537               | 1611/1516              | 1524/1707               | 1612/1806               |
| Wheels/chassis       | 3.1   | Tyres  |                    |                                  | Superelastic            | Superelastic           | Superelastic            | Superelastic           | Superelastic            | Superelastic            |
|                      | 3.2   | Tyre size  | front              |                                  | 180/70-8                | 180/70-8               | 180/70-8                | 180/70-8               | 200/50-10               | 200/50-10               |
|                      | 3.3   | Tyre size  | rear               |                                  | 125/75-8                | 125/75-8               | 125/75-8                | 125/75-8               | 140/55-9                | 140/55-9                |
|                      | 3.5   | Number of wheels (x = driven)                              | front/rear         |                                  | 2x/2                    | 2x/2                   | 2x/2                    | 2x/2                   | 2x/2                    | 2x/2                    |
|                      | 3.6   | Track width  | front/rear         | b <sub>10</sub> /b <sub>11</sub> | mm                      | 932/168                | 932/168                 | 932/168                | 932/168                 | 942/172                 |
| Dimensions           | 4.1   | Angle of mast/fork carriage                                | forwards/backwards | α/β                              | °                       | 5/6                    | 5/6                     | 5/6                    | 5/6                     | 5/6                     |
|                      | 4.2   | Height of mast   | when lowered       | h <sub>1</sub>                   | mm                      | 2160                   | 2160                    | 2160                   | 2160                    | 2160                    |
|                      | 4.3   | Free lift  |                    | h <sub>2</sub>                   | mm                      | 150                    | 150                     | 150                    | 150                     | 150                     |
|                      | 4.4   | Lift   |                    | h <sub>3</sub>                   | mm                      | 3180                   | 3180                    | 3180                   | 3180                    | 3180                    |
|                      | 4.5   | Height of mast   | when raised        | h <sub>4</sub>                   | mm                      | 3742                   | 3742                    | 3742                   | 3742                    | 3742                    |
|                      | 4.7   | Height over overhead guard (low variant)                   |                    | h <sub>6</sub>                   | mm                      | 2035 (1949)            | 2035 (1949)             | 2035 (1949)            | 2035 (1949)             | 2035 (1949)             |
|                      | 4.8   | Seat height/standing height                                |                    | h <sub>7</sub>                   | mm                      | 965                    | 965                     | 965                    | 965                     | 965                     |
|                      | 4.12  | Coupling height  |                    | h <sub>10</sub>                  | mm                      | 473                    | 473                     | 473                    | 473                     | 473                     |
|                      | 4.19  | Total length   |                    | l <sub>1</sub>                   | mm                      | 2661                   | 2661                    | 2744                   | 2852                    | 2852                    |
|                      | 4.20  | Length including fork backs                                |                    | l <sub>2</sub>                   | mm                      | 1861                   | 1861                    | 1944                   | 2052                    | 2066                    |
|                      | 4.21  | Total width  |                    | b <sub>1</sub>                   | mm                      | 1099                   | 1099                    | 1099                   | 1149                    | 1149                    |
|                      | 4.22  | Depth of prongs  |                    | s                                | mm                      | 40                     | 40                      | 40                     | 40                      | 40                      |
|                      | 4.22.1  | Width of prongs  |                    | e                                | mm                      | 80                     | 80                      | 80                     | 80                      | 80                      |
|                      | 4.22.2  | Length of prongs   |                    | l                                | mm                      | 800                    | 800                     | 800                    | 800                     | 800                     |
|                      | 4.23  | Fork carriage DIN 15173, class/form A, B                   |                    |                                  |                         | ISO II A               | ISO II A                | ISO II A               | ISO II A                | ISO II A                |
|                      | 4.24  | Fork carriage width  |                    | b <sub>3</sub>                   | mm                      | 980                    | 980                     | 980                    | 980                     | 980                     |
|                      | 4.31  | Ground clearance under mast                                |                    | m <sub>1</sub>                   | mm                      | ≥90                    | ≥90                     | ≥90                    | ≥90                     | ≥90                     |
|                      | 4.32  | Ground clearance, centre of wheel base                     |                    | m <sub>2</sub>                   | mm                      | 114                    | 114                     | 114                    | 114                     | 114                     |
|                      | 4.33  | Working aisle width with 1000 x 1200 pallet crossways      |                    | A <sub>st</sub>                  | mm                      | 3186                   | 3186                    | 3269                   | 3377                    | 3390                    |
| 4.34                 | Working aisle width with 800 x 1200 pallet lengthways |  | A <sub>st</sub>    | mm                               | 3311                    | 3311                   | 3394                    | 3502                   | 3516                    |                         |
| 4.35                 | Turning radius  |  | W <sub>a</sub>     | mm                               | 1487                    | 1487                   | 1570                    | 1678                   | 1678                    |                         |
| 4.36                 | Smallest pivot point distance                         |  | b <sub>13</sub>    | mm                               | -                       | -                      | -                       | -                      | -                       |                         |
| Performance data     | 5.1   | Driving speed (Blue-Q/Normal/Sprint)                       | with load          | km/h                             | 16/16/20                | 16/16/20               | 16/16/20                | 16/16/20               | 16/16/20                | 16/16/20                |
|                      | 5.1.1   | Driving speed (Blue-Q/Normal/Sprint)                       | without load       | km/h                             | 16/16/20                | 16/16/20               | 16/16/20                | 16/16/20               | 16/16/20                | 16/16/20                |
|                      | 5.2   | Lifting speed  | with load          | m/s                              | 0.54                    | 0.53                   | 0.53                    | 0.53                   | 0.52                    | 0.45                    |
|                      | 5.2.1   | Lifting speed  | without load       | m/s                              | 0.75                    | 0.75                   | 0.75                    | 0.75                   | 0.75                    | 0.63                    |
|                      | 5.3   | Lowering speed   | with/without load  | m/s                              | 0.5/0.5                 | 0.51/0.5               | 0.51/0.5                | 0.51/0.5               | 0.52/0.5                | 0.48/0.41               |
|                      | 5.5   | Traction   | with/without load  | N                                | 5100/5100               | 5100/5200              | 5100/5200               | 5100/5200              | 4900/5100               | 4800/5100               |
|                      | 5.6   | Max. traction  | with/without load  | N                                | 12300/7700              | 12300/7700             | 12300/7900              | 12300/8500             | 12000/7900              | 12000/8500              |
|                      | 5.7   | Gradeability   | with/without load  | %                                | 20.4/24                 | 18.6/24                | 18.6/24                 | 18.6/24                | 18.6/24                 | 15/18.1                 |
|                      | 5.8   | Max. gradeability  | with/without load  | %                                | 30.3/27.9               | 27.6/26                | 28/27.4                 | 27.4/28.7              | 25.1/26                 | 25.3/28.3               |
|                      | 5.9   | Acceleration time/15 m (Blue-Q/Normal/Sprint)              | with load          | s                                | 5.7/5.4/5.1             | 5.7/5.4/5.1            | 5.7/5.4/5.1             | 5.7/5.4/5.1            | 5.8/5.5/5.2             | 5.8/5.5/5.2             |
| 5.9.1                | Acceleration time/15 m (Blue-Q/Normal/Sprint)         | without load   | s                  | 5.4/5.1/4.8                      | 5.4/5.1/4.8             | 5.4/5.1/4.8            | 5.4/5.1/4.8             | 5.4/5.1/4.8            | 5.4/5.1/4.8             |                         |
| 5.10                 | Service brake   |  |                    |                                  | Electric/mechanical     | Electric/mechanical    | Electric/mechanical     | Electric/mechanical    | Electric/mechanical     |                         |
| Electric motor       | 6.1   | Drive motor, rating KB 60 min                              |                    | kW                               | 2x6.5                   | 2x6.5                  | 2x6.5                   | 2x6.5                  | 2x6.5                   | 2x6.5                   |
|                      | 6.2   | Lifting motor, output at 20% d.c.                          |                    | kW                               | 11                      | 11                     | 11                      | 11                     | 11                      | 11                      |
|                      | 6.3   | Battery according to DIN 43531/35/36 A, B, C, no           |                    |                                  | DIN 43531 B             | DIN 43531 B            | DIN 43531 A (B)         | DIN 43531 A            | DIN 43531 A (B)         | DIN 43531 A             |
|                      | 6.4   | Battery voltage  | U                  | V                                | 48                      | 48                     | 48                      | 48                     | 48                      | 48                      |
|                      | 6.4.1   | Battery capacity   | K <sub>s</sub>     | Ah                               | 625                     | 625                    | 625                     | 750                    | 625                     | 750                     |
|                      | 6.5   | Battery weight   |                    | kg                               | 856                     | 856                    | 855                     | 1013                   | 855                     | 1013                    |
|                      | 6.6   | Energy consumption in accordance with EN 16796             |                    | kWh/h                            | 3.3                     | 3.8                    | 3.7                     | 3.7                    | 4.1                     | 4.3                     |
|                      | 6.7   | Turnover performance                                       |                    | t/h                              | 116                     | 135                    | 131                     | 133                    | 141                     | 149                     |
| 6.8                  | Energy consumption at indicated turnover performance  |  | kWh/h              | 5.1                              | 5.7                     | 5.5                    | 5.6                     | 5.8                    | 6.0                     |                         |
| Other                | 10.1  | Working pressure for attachments                           |                    | bar                              | 160                     | 160                    | 160                     | 160                    | 160                     | 160                     |
|                      | 10.2  | Oil volume for attachments                                 |                    | l/min                            | 30                      | 30                     | 30                      | 30                     | 30                      | 30                      |
|                      | 10.7  | Sound level at driver's ear                                |                    | dB(A)                            | <66                     | <66                    | <66                     | <66                    | <66                     | <66                     |
|                      | 10.7.1  | Human vibrations: Acceleration in accordance with EN 13059 |                    | m/s <sup>2</sup>                 | <0.6                    | <0.6                   | <0.6                    | <0.6                   | <0.6                    | <0.6                    |
| 10.8                 | Trailer coupling, item/DIN type                       |  |                    | Bolt                             | Bolt                    | Bolt                   | Bolt                    | Bolt                   | Bolt                    |                         |

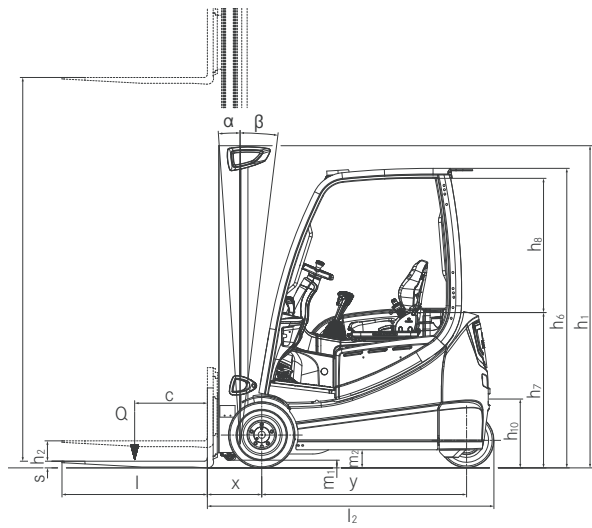
RX 20 Electric Forklift Truck  
Electrifying

This specification sheet, which conforms to VDI guideline 2198, provides the technical values for the standard equipment only.  
Different tyres, other masts, additional equipment etc. may produce different figures.

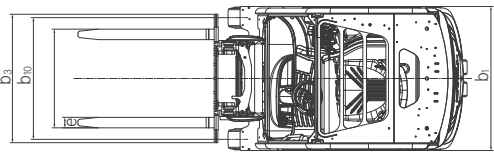


|                      |  |   |                    | STILL                            | STILL                    | STILL                   | STILL                    | STILL                   | STILL                    |
|----------------------|--|---|--------------------|----------------------------------|--------------------------|-------------------------|--------------------------|-------------------------|--------------------------|
| Distinguishing marks | 1.1  | Manufacturer  |                    |                                  |                          |                         |                          |                         |                          |
|                      | 1.2  | Manufacturer's type designation                             |                    | <b>RX 20-16P/Li-Ion</b>          | <b>RX 20-16PL/Li-Ion</b> | <b>RX 20-18P/Li-Ion</b> | <b>RX 20-18PL/Li-Ion</b> | <b>RX 20-20P/Li-Ion</b> | <b>RX 20-20PL/Li-Ion</b> |
|                      | 1.2.1  | Manufacturer type number                                    |                    | 6226                             | 6227                     | 6228                    | 6229                     | 6230                    | 6231                     |
|                      | 1.3  | Drive   |                    | Electric                         | Electric                 | Electric                | Electric                 | Electric                | Electric                 |
|                      | 1.4  | Operation   |                    | Seated                           | Seated                   | Seated                  | Seated                   | Seated                  | Seated                   |
|                      | 1.5  | Capacity/load   | Q                  | kg                               | 1600                     | 1600                    | 1800                     | 1800                    | 2000                     |
|                      | 1.6  | Load centre   | c                  | mm                               | 500                      | 500                     | 500                      | 500                     | 500                      |
|                      | 1.8  | Load distance   | x                  | mm                               | 374                      | 374                     | 374                      | 374                     | 388                      |
|                      | 1.9  | Wheel base  | y                  | mm                               | 1429                     | 1537                    | 1429                     | 1537                    | 1429                     |
| Weights              | 2.1  | Service weight (incl. battery)                              |                    | kg                               | 3018                     | 3178                    | 3254                     | 3178                    | 3474                     |
|                      | 2.2  | Axle load, laden  | front/rear         | kg                               | 4098/520                 | 4121/657                | 4439/616                 | 4435/543                | 4858/616                 |
|                      | 2.3  | Axle load, unladen  | front/rear         | kg                               | 1520/1498                | 1612/1567               | 1538/1717                | 1612/1567               | 1616/1858                |
| Wheels/chassis       | 3.1  | Tyres   |                    |                                  | Superelastic             | Superelastic            | Superelastic             | Superelastic            | Superelastic             |
|                      | 3.2  | Tyre size   | front              |                                  | 180/70-8                 | 180/70-8                | 200/50-10                | 200/50-10               | 200/50-10                |
|                      | 3.3  | Tyre size   | rear               |                                  | 150/75-8                 | 150/75-8                | 150/75-8                 | 150/75-8                | 150/75-8                 |
| Dimensions           | 3.5  | Number of wheels (x = driven)                               | front/rear         |                                  | 2 x/2                    | 2 x/2                   | 2 x/2                    | 2 x/2                   | 2 x/2                    |
|                      | 3.6  | Track width   | front/rear         | b <sub>10</sub> /b <sub>11</sub> | mm                       | 932/807                 | 932/807                  | 942/807                 | 942/807                  |
|                      | 4.1  | Angle of mast/fork carriage                                 | forwards/backwards | α/β                              | °                        | 5/6                     | 5/6                      | 5/6                     | 5/6                      |
|                      | 4.2  | Height of mast  | when lowered       | h <sub>1</sub>                   | mm                       | 2160                    | 2160                     | 2160                    | 2160                     |
|                      | 4.3  | Free lift   |                    | h <sub>2</sub>                   | mm                       | 150                     | 150                      | 150                     | 150                      |
|                      | 4.4  | Lift  |                    | h <sub>3</sub>                   | mm                       | 3180                    | 3180                     | 3180                    | 3180                     |
|                      | 4.5  | Height of mast  | when raised        | h <sub>4</sub>                   | mm                       | 3742                    | 3742                     | 3742                    | 3742                     |
|                      | 4.7  | Height over overhead guard (low variant)                    |                    | h <sub>6</sub>                   | mm                       | 2035 (1949)             | 2035 (1949)              | 2035 (1949)             | 2035 (1949)              |
|                      | 4.8  | Seat height/standing height                                 |                    | h <sub>7</sub>                   | mm                       | 965                     | 965                      | 965                     | 965                      |
|                      | 4.12   | Coupling height   |                    | h <sub>10</sub>                  | mm                       | 537                     | 537                      | 537                     | 537                      |
|                      | 4.19   | Total length  |                    | l <sub>1</sub>                   | mm                       | 2837                    | 2945                     | 2837                    | 2945                     |
|                      | 4.20   | Length including fork backs                                 |                    | l <sub>2</sub>                   | mm                       | 2037                    | 2145                     | 2037                    | 2145                     |
|                      | 4.21   | Total width   |                    | b <sub>1</sub>                   | mm                       | 1099                    | 1099                     | 1149                    | 1149                     |
|                      | 4.22   | Depth of prongs   |                    | s                                | mm                       | 40                      | 40                       | 40                      | 40                       |
|                      | 4.22.1   | Width of prongs   |                    | e                                | mm                       | 80                      | 80                       | 80                      | 80                       |
|                      | 4.22.2   | Length of prongs  |                    | l                                | mm                       | 800                     | 800                      | 800                     | 800                      |
|                      | 4.23   | Fork carriage DIN 15173, class/form A, B                    |                    |                                  |                          | ISO II A                | ISO II A                 | ISO II A                | ISO II A                 |
|                      | 4.24   | Fork carriage width   |                    | b <sub>3</sub>                   | mm                       | 980                     | 980                      | 980                     | 980                      |
|                      | 4.31   | Ground clearance under mast                                 |                    | m <sub>1</sub>                   | mm                       | ≥90                     | ≥90                      | ≥90                     | ≥90                      |
|                      | 4.32   | Ground clearance, centre of wheel base                      |                    | m <sub>2</sub>                   | mm                       | 114                     | 114                      | 114                     | 114                      |
|                      | 4.33   | Working aisle width with 1000 x 1200 pallet crossways       |                    | A <sub>st</sub>                  | mm                       | 3362                    | 3470                     | 3362                    | 3470                     |
|                      | 4.34   | Working aisle width with 800 x 1200 pallet lengthways       |                    | A <sub>st</sub>                  | mm                       | 3487                    | 3595                     | 3487                    | 3595                     |
|                      | 4.35   | Turning radius  |                    | W <sub>a</sub>                   | mm                       | 1663                    | 1771                     | 1663                    | 1771                     |
|                      | 4.36   | Smallest pivot point distance                               |                    | b <sub>13</sub>                  | mm                       | -                       | -                        | -                       | -                        |
| Performance data     | 5.1  | Driving speed (Blue-Q/Normal/Sprint)                        | with load          | km/h                             | 16/16/20                 | 16/16/20                | 16/16/20                 | 16/16/20                | 16/16/20                 |
|                      | 5.1.1  | Driving speed (Blue-Q/Normal/Sprint)                        | without load       | km/h                             | 16/16/20                 | 16/16/20                | 16/16/20                 | 16/16/20                | 16/16/20                 |
|                      | 5.2  | Lifting speed   | with load          | m/s                              | 0.53                     | 0.53                    | 0.52                     | 0.52                    | 0.45                     |
|                      | 5.2.1  | Lifting speed   | without load       | m/s                              | 0.75                     | 0.75                    | 0.75                     | 0.75                    | 0.63                     |
|                      | 5.3  | Lowering speed  | with/without load  | m/s                              | 0.51/0.5                 | 0.51/0.5                | 0.52/0.5                 | 0.52/0.5                | 0.48/0.41                |
|                      | 5.5  | Traction  | with/without load  | N                                | 5000/5100                | 5000/5100               | 4800/5000                | 4800/5100               | 4800/5000                |
|                      | 5.6  | Max. traction   | with/without load  | N                                | 12300/7900               | 12300/8500              | 11900/8000               | 12000/8500              | 11900/8200               |
|                      | 5.7  | Gradeability  | with/without load  | %                                | 18.6/24                  | 18.6/24                 | 18.6/24                  | 18.6/24                 | 15/18.1                  |
|                      | 5.8  | Max. gradeability   | with/without load  | %                                | 27.8/27.8                | 27.6/28.9               | 24.8/26                  | 25.4/28.6               | 22.9/25.1                |
|                      | 5.9  | Acceleration time/15 m (Blue-Q/Normal/Sprint)               | with load          | s                                | 5.7/5.4/5.1              | 5.7/5.4/5.1             | 5.8/5.5/5.2              | 5.8/5.5/5.2             | 5.8/5.5/5.3              |
| 5.9.1                | Acceleration time/15 m (Blue-Q/Normal/Sprint)        | without load  | s                  | 5.4/5.1/4.8                      | 5.4/5.1/4.8              | 5.4/5.1/4.8             | 5.4/5.1/4.8              | 5.4/5.1/4.8             |                          |
| 5.10                 | Service brake  |   |                    |                                  | Electric/mechanical      | Electric/mechanical     | Electric/mechanical      | Electric/mechanical     |                          |
| Electric motor       | 6.1  | Drive motor, rating KB 60 min                               |                    | kW                               | 2x6.5                    | 2x6.5                   | 2x6.5                    | 2x6.5                   | 2x6.5                    |
|                      | 6.2  | Lifting motor, output at 20% d.c.                           |                    | kW                               | 11                       | 11                      | 11                       | 11                      | 11                       |
|                      | 6.3  | Battery according to DIN 43531/35/36 A, B, C, no            |                    |                                  | DIN 43531 A (B)          | DIN 43531 A             | DIN 43531 A (B)          | DIN 43531 A             | DIN 43531 A (B)          |
|                      | 6.4  | Battery voltage   | U                  | V                                | 48                       | 48                      | 48                       | 48                      | 48                       |
|                      | 6.4.1  | Battery capacity  | K <sub>s</sub>     | Ah                               | 625                      | 750                     | 625                      | 750                     | 625                      |
|                      | 6.5  | Battery weight  |                    | kg                               | 855                      | 1013                    | 855                      | 1013                    | 855                      |
|                      | 6.6  | Energy consumption in accordance with EN 16796              |                    | kWh/h                            | 3.6                      | 3.8                     | 4.1                      | 4.0                     | 4.5                      |
|                      | 6.7  | Turnover performance  |                    | t/h                              | 129                      | 135                     | 142                      | 139                     | 155                      |
| 6.8                  | Energy consumption at indicated turnover performance |   | kWh/h              | 5.5                              | 5.7                      | 5.8                     | 5.8                      | 6.2                     |                          |
| Other                | 10.1   | Working pressure for attachments                            |                    | bar                              | 160                      | 160                     | 160                      | 160                     | 160                      |
|                      | 10.2   | Oil volume for attachments                                  |                    | l/min                            | 30                       | 30                      | 30                       | 30                      | 30                       |
|                      | 10.7   | Sound pressure level L <sub>pAZ</sub> (operator's position) |                    | dB(A)                            | <66                      | <66                     | <66                      | <65                     | <66                      |
|                      | 10.7.1   | Human vibrations: Acceleration in accordance with EN 13059  |                    | m/s <sup>2</sup>                 | <0.6                     | <0.6                    | <0.6                     | <0.7                    | <0.6                     |
| 10.8                 | Trailer coupling, item/DIN type                      |   |                    | Bolt                             | Bolt                     | Bolt                    | Bolt                     | Bolt                    |                          |

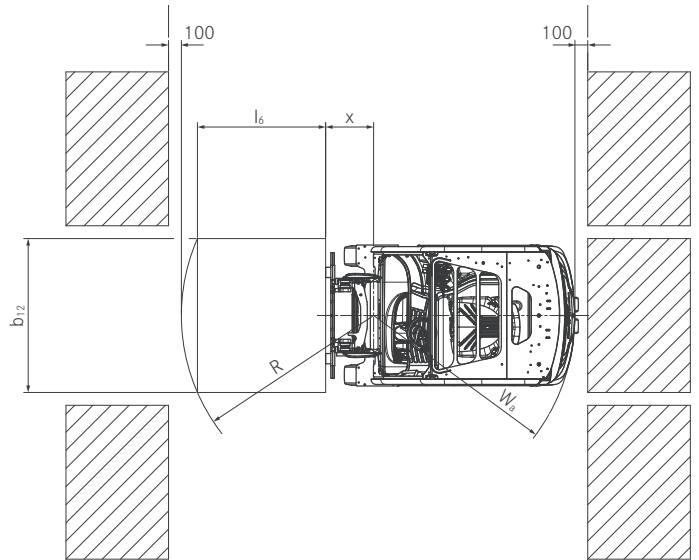
RX 20 Electric Forklift Truck  
 Technical Drawings



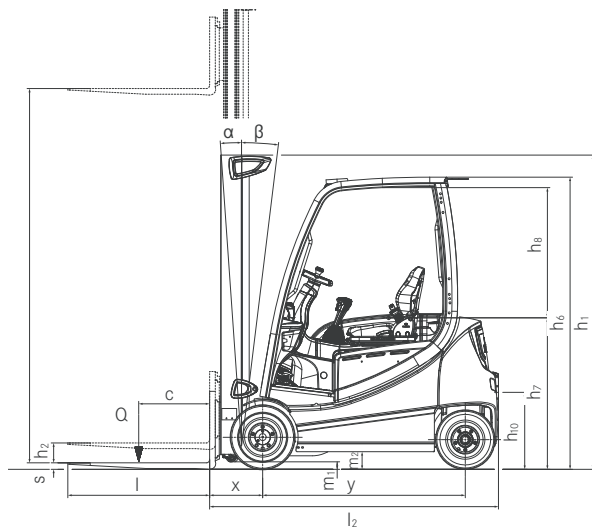
3-wheel side view



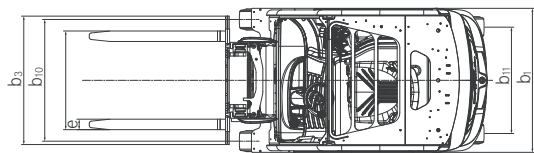
3-wheel top view



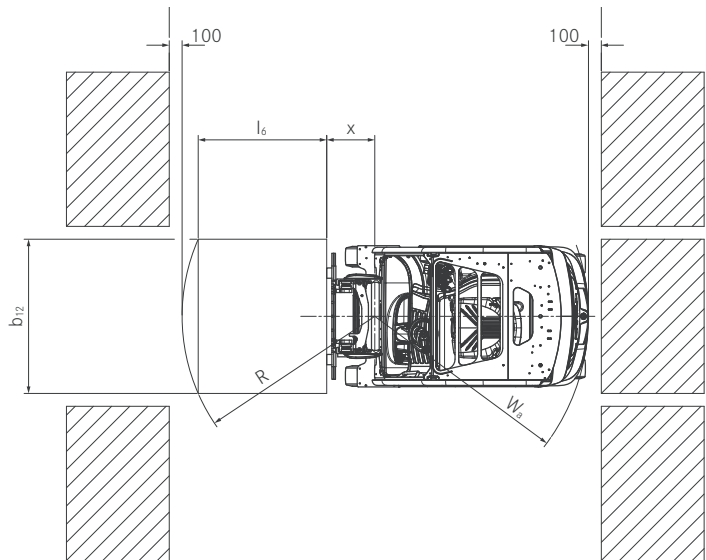
3-wheel top view



4-wheel side view



4-wheel top view



4-wheel top view

RX 20 Electric Forklift Truck  
Electrifying



RX 20 Electric Forklift Truck  
Mast Tables



| Model         | Parameter                           | Unit           | Duplex mast |                         |      |      |      |      |      |      |      |      | NiHo mast |                             |      |      |      |      | Triplex mast   |                             |      |      |      |      |      |      |      |
|---------------|-------------------------------------|----------------|-------------|-------------------------|------|------|------|------|------|------|------|------|-----------|-----------------------------|------|------|------|------|----------------|-----------------------------|------|------|------|------|------|------|------|
|               |                                     |                | 2680        | 2780                    | 2980 | 3180 | 3480 | 3880 | 4180 | 4680 | 5380 | 2860 | 2960      | 3160                        | 3360 | 3560 | 3960 | 4170 | 4320           | 4620                        | 4920 | 5220 | 5620 | 6070 | 6820 | 7870 |      |
| RX 20-14C     | Nominal lift                        | h <sub>3</sub> | mm          | 2680                    | 2780 | 2980 | 3180 | 3480 | 3880 | 4180 | 4680 | 5380 | 2860      | 2960                        | 3160 | 3360 | 3560 | 3960 | 4170           | 4320                        | 4620 | 4920 | 5220 | 5620 | 6070 | 6820 | 7870 |
|               | Height                              | h <sub>1</sub> | mm          | 1910                    | 1960 | 2060 | 2160 | 2310 | 2510 | 2660 | 2910 | 3260 | 1910      | 1960                        | 2060 | 2160 | 2260 | 2460 | 1910           | 1960                        | 2060 | 2160 | 2260 | 2460 | 2610 | 2860 | 3210 |
|               | Free lift                           | h <sub>2</sub> | mm          | 150                     | 150  | 150  | 150  | 150  | 150  | 150  | 150  | 150  | 1365      | 1415                        | 1515 | 1615 | 1715 | 1915 | 1366           | 1416                        | 1516 | 1616 | 1716 | 1916 | 2066 | 2316 | 2666 |
|               | Maximum height                      | h <sub>4</sub> | mm          | 3242                    | 3342 | 3542 | 3742 | 4042 | 4442 | 4742 | 5242 | 5942 | 3417      | 3517                        | 3717 | 3917 | 4117 | 4517 | 4764           | 4914                        | 5214 | 5514 | 5814 | 6214 | 6664 | 7414 | 8464 |
|               | Angle of mast forwards              | α              | °           | 5                       |      |      |      |      |      |      |      |      |           |                             |      |      |      |      |                |                             |      |      |      |      |      |      |      |
|               | Angle of mast backwards             | β              | °           | 6                       |      |      |      |      |      |      |      |      |           |                             |      |      |      |      |                |                             |      |      |      |      |      |      |      |
|               | Fork lock-in position centre-centre |                | mm          | 216/368/445/521/673/760 |      |      |      |      |      |      |      |      |           |                             |      |      |      |      |                |                             |      |      |      |      |      |      |      |
|               | Tyres rear                          |                |             | 125/75-8(15x41/2-8)     |      |      |      |      |      |      |      |      |           | 125/75-8 (15x41/2-8)        |      |      |      |      |                | 125/75-8 (15x41/2-8)        |      |      |      |      |      |      |      |
|               | Tyres front                         |                |             | 180/70-8 (18x7-8)       |      |      |      |      |      |      |      |      |           | 200/50-10 180/70-8 (18x7-8) |      |      |      |      |                | 180/70-8 (18x7-8) 200/50-10 |      |      |      |      |      |      |      |
|               | Track front/rear                    |                | mm          | 932/168                 |      |      |      |      |      |      |      |      |           | 990 932/168                 |      |      |      |      |                | 932/168 942 990             |      |      |      |      |      |      |      |
| Maximum width | B                                   | mm             | 1099        |                         |      |      |      |      |      |      |      |      | 1188 1099 |                             |      |      |      |      | 1099 1149 1188 |                             |      |      |      |      |      |      |      |

| Model  | Parameter                           | Unit           | Duplex mast       |                         |      |      |      |      |      |      |      |      | NiHo mast                   |                             |      |      |      |      | Triplex mast                |                             |      |      |      |      |      |      |      |
|--|-------------------------------------|----------------|-------------------|-------------------------|------|------|------|------|------|------|------|------|-----------------------------|-----------------------------|------|------|------|------|-----------------------------|-----------------------------|------|------|------|------|------|------|------|
|  |                                     |                | 2680              | 2780                    | 2980 | 3180 | 3480 | 3880 | 4180 | 4680 | 5380 | 2860 | 2960                        | 3160                        | 3360 | 3560 | 3960 | 4170 | 4320                        | 4620                        | 4920 | 5220 | 5620 | 6070 | 6820 | 7870 |      |
| RX 20-16<br>RX 20-16C,<br>RX 20-16L,<br>RX 20-16PL | Nominal lift                        | h <sub>3</sub> | mm                | 2680                    | 2780 | 2980 | 3180 | 3480 | 3880 | 4180 | 4680 | 5380 | 2860                        | 2960                        | 3160 | 3360 | 3560 | 3960 | 4170                        | 4320                        | 4620 | 4920 | 5220 | 5620 | 6070 | 6820 | 7870 |
|  | Height                              | h <sub>1</sub> | mm                | 1910                    | 1960 | 2060 | 2160 | 2310 | 2510 | 2660 | 2910 | 3260 | 1910                        | 1960                        | 2060 | 2160 | 2260 | 2460 | 1910                        | 1960                        | 2060 | 2160 | 2260 | 2460 | 2610 | 2860 | 3210 |
|  | Free lift                           | h <sub>2</sub> | mm                | 150                     | 150  | 150  | 150  | 150  | 150  | 150  | 150  | 150  | 1261                        | 1311                        | 1411 | 1511 | 1611 | 1811 | 1308                        | 1358                        | 1458 | 1558 | 1658 | 1858 | 2008 | 2258 | 2608 |
|  | Maximum height                      | h <sub>4</sub> | mm                | 3315                    | 3415 | 3615 | 3815 | 4115 | 4515 | 4815 | 5315 | 6015 | 3471                        | 3571                        | 3771 | 3971 | 4171 | 4571 | 4791                        | 4942                        | 5242 | 5542 | 5842 | 6242 | 6692 | 7442 | 8492 |
|  | Angle of mast forwards              | α              | °                 | 5                       |      |      |      |      |      |      |      |      |                             |                             |      |      |      |      |                             |                             |      |      |      |      |      |      |      |
|  | Angle of mast backwards             | β              | °                 | 6                       |      |      |      |      |      |      |      |      |                             |                             |      |      |      |      |                             |                             |      |      |      |      |      |      |      |
|  | Fork lock-in position centre-centre |                | mm                | 216/368/445/521/673/760 |      |      |      |      |      |      |      |      |                             |                             |      |      |      |      |                             |                             |      |      |      |      |      |      |      |
|  | Tyres rear                          |                |                   | 125/75-8 (15x41/2-8)    |      |      |      |      |      |      |      |      |                             | 125/75-8 (15x41/2-8)        |      |      |      |      |                             | 125/75-8 (15x41/2-8)        |      |      |      |      |      |      |      |
|  | Tyres front                         |                |                   | 180/70-8 (18x7-8)       |      |      |      |      |      |      |      |      |                             | 200/50-10 180/70-8 (18x7-8) |      |      |      |      |                             | 180/70-8 (18x7-8) 200/50-10 |      |      |      |      |      |      |      |
|  | Track front/rear                    |                | mm                | 932/168                 |      |      |      |      |      |      |      |      |                             | 990 932/168                 |      |      |      |      |                             | 932/168 942 990             |      |      |      |      |      |      |      |
| Maximum width                                      | B                                   | mm             | 1099              |                         |      |      |      |      |      |      |      |      | 1188 1099                   |                             |      |      |      |      | 1099 1149 1188              |                             |      |      |      |      |      |      |      |
| RX 20-16P,<br>RX 20-16PL                           | Tyres rear                          |                | 150/75-8          |                         |      |      |      |      |      |      |      |      | 150/75-8                    |                             |      |      |      |      | 150/75-8                    |                             |      |      |      |      |      |      |      |
|  | Tyres front                         |                | 180/70-8 (18x7-8) |                         |      |      |      |      |      |      |      |      | 200/50-10 180/70-8 (18x7-8) |                             |      |      |      |      | 180/70-8 (18x7-8) 200/50-10 |                             |      |      |      |      |      |      |      |
|  | Track front/rear                    |                | 932/807           |                         |      |      |      |      |      |      |      |      | 990 932/807                 |                             |      |      |      |      | 932/807 990                 |                             |      |      |      |      |      |      |      |
|  | Maximum width                       | B              | mm                | 1099                    |      |      |      |      |      |      |      |      |                             | 1188 1099                   |      |      |      |      |                             | 1099 1188                   |      |      |      |      |      |      |      |

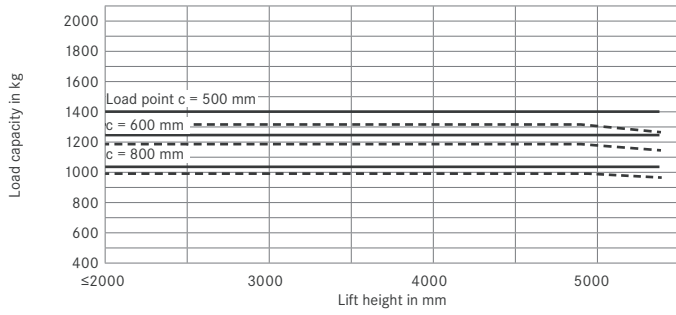
| Model                                | Parameter                           | Unit           | Duplex mast |                         |      |      |      |      |      |      |      |      | NiHo mast   |             |      |      |      |      | Triplex mast |             |      |      |      |      |      |      |      |
|--------------------------------------|-------------------------------------|----------------|-------------|-------------------------|------|------|------|------|------|------|------|------|-------------|-------------|------|------|------|------|--------------|-------------|------|------|------|------|------|------|------|
|                                      |                                     |                | 2680        | 2780                    | 2980 | 3180 | 3480 | 3880 | 4180 | 4680 | 5380 | 2780 | 2880        | 3080        | 3280 | 3480 | 3880 | 4020 | 4170         | 4470        | 4770 | 5070 | 5470 | 5920 | 6670 | 7720 |      |
| RX 20-18<br>RX 20-18L,<br>RX 20-18PL | Nominal lift                        | h <sub>3</sub> | mm          | 2680                    | 2780 | 2980 | 3180 | 3480 | 3880 | 4180 | 4680 | 5380 | 2780        | 2880        | 3080 | 3280 | 3480 | 3880 | 4020         | 4170        | 4470 | 4770 | 5070 | 5470 | 5920 | 6670 | 7720 |
|                                      | Height                              | h <sub>1</sub> | mm          | 1910                    | 1960 | 2060 | 2160 | 2310 | 2510 | 2660 | 2910 | 3260 | 1910        | 1960        | 2060 | 2160 | 2260 | 2460 | 1910         | 1960        | 2060 | 2160 | 2260 | 2460 | 2610 | 2860 | 3210 |
|                                      | Free lift                           | h <sub>2</sub> | mm          | 150                     | 150  | 150  | 150  | 150  | 150  | 150  | 150  | 150  | 1261        | 1311        | 1411 | 1511 | 1611 | 1811 | 1258         | 1308        | 1408 | 1508 | 1608 | 1808 | 1958 | 2208 | 2558 |
|                                      | Maximum height                      | h <sub>4</sub> | mm          | 3315                    | 3415 | 3615 | 3815 | 4115 | 4515 | 4815 | 5315 | 6015 | 3443        | 3543        | 3743 | 3943 | 4143 | 4543 | 4692         | 4842        | 5142 | 5442 | 5742 | 6142 | 6592 | 7342 | 8392 |
|                                      | Angle of mast forwards              | α              | °           | 5                       |      |      |      |      |      |      |      |      |             |             |      |      |      |      |              |             |      |      |      |      |      |      |      |
|                                      | Angle of mast backwards             | β              | °           | 6                       |      |      |      |      |      |      |      |      |             |             |      |      |      |      |              |             |      |      |      |      |      |      |      |
|                                      | Fork lock-in position centre-centre |                | mm          | 216/368/445/521/673/760 |      |      |      |      |      |      |      |      |             |             |      |      |      |      |              |             |      |      |      |      |      |      |      |
|                                      | Tyres rear                          |                |             | 140/55-9                |      |      |      |      |      |      |      |      |             | 140/55-9    |      |      |      |      |              | 140/55-9    |      |      |      |      |      |      |      |
|                                      | Tyres front                         |                |             | 200/50-10               |      |      |      |      |      |      |      |      |             | 200/50-10   |      |      |      |      |              | 200/50-10   |      |      |      |      |      |      |      |
|                                      | Track front/rear                    |                | mm          | 942/172                 |      |      |      |      |      |      |      |      |             | 990 942/172 |      |      |      |      |              | 942/172 990 |      |      |      |      |      |      |      |
| Maximum width                        | B                                   | mm             | 1149        |                         |      |      |      |      |      |      |      |      | 1188 1149   |             |      |      |      |      | 1149 1188    |             |      |      |      |      |      |      |      |
| RX 20-18P,<br>RX 20-18PL             | Tyres rear                          |                | 150/75-8    |                         |      |      |      |      |      |      |      |      | 150/75-8    |             |      |      |      |      | 150/75-8     |             |      |      |      |      |      |      |      |
|                                      | Tyres front                         |                | 200/50-10   |                         |      |      |      |      |      |      |      |      | 200/50-10   |             |      |      |      |      | 200/50-10    |             |      |      |      |      |      |      |      |
|                                      | Track front/rear                    |                | 942/807     |                         |      |      |      |      |      |      |      |      | 990 942/807 |             |      |      |      |      | 942/807 990  |             |      |      |      |      |      |      |      |
|                                      | Maximum width                       | B              | mm          | 1149                    |      |      |      |      |      |      |      |      |             | 1188 1149   |      |      |      |      |              | 1149 1188   |      |      |      |      |      |      |      |

| Model                                | Parameter                           | Unit           | Duplex mast |                         |      |      |      |      |      |      |      |      | NiHo mast   |             |      |      |      |      | Triplex mast |             |      |      |      |      |      |      |      |
|--------------------------------------|-------------------------------------|----------------|-------------|-------------------------|------|------|------|------|------|------|------|------|-------------|-------------|------|------|------|------|--------------|-------------|------|------|------|------|------|------|------|
|                                      |                                     |                | 2650        | 2750                    | 2950 | 3150 | 3450 | 3850 | 4150 | 4650 | 5350 | 2770 | 2870        | 3070        | 3270 | 3470 | 3870 | 4030 | 4180         | 4480        | 4780 | 5080 | 5680 | 6130 | 6880 | 7930 |      |
| RX 20-20<br>RX 20-20L,<br>RX 20-20PL | Nominal lift                        | h <sub>3</sub> | mm          | 2650                    | 2750 | 2950 | 3150 | 3450 | 3850 | 4150 | 4650 | 5350 | 2770        | 2870        | 3070 | 3270 | 3470 | 3870 | 4030         | 4180        | 4480 | 4780 | 5080 | 5680 | 6130 | 6880 | 7930 |
|                                      | Height                              | h <sub>1</sub> | mm          | 1910                    | 1960 | 2060 | 2160 | 2310 | 2510 | 2660 | 2910 | 3260 | 1910        | 1960        | 2060 | 2160 | 2260 | 2460 | 1910         | 1960        | 2060 | 2160 | 2260 | 2460 | 2610 | 2860 | 3210 |
|                                      | Free lift                           | h <sub>2</sub> | mm          | 150                     | 150  | 150  | 150  | 150  | 150  | 150  | 150  | 150  | 1366        | 1416        | 1516 | 1616 | 1716 | 1916 | 1430         | 1480        | 1580 | 1680 | 1780 | 1980 | 2130 | 2380 | 2730 |
|                                      | Maximum height                      | h <sub>4</sub> | mm          | 3214                    | 3314 | 3514 | 3714 | 4014 | 4414 | 4714 | 5214 | 5914 | 3334        | 3434        | 3634 | 3834 | 4034 | 4434 | 4594         | 4744        | 5044 | 5344 | 5644 | 6044 | 6694 | 7444 | 8494 |
|                                      | Angle of mast forwards              | α              | °           | 5                       |      |      |      |      |      |      |      |      |             |             |      |      |      |      |              |             |      |      |      |      |      |      |      |
|                                      | Angle of mast backwards             | β              | °           | 6                       |      |      |      |      |      |      |      |      |             |             |      |      |      |      |              |             |      |      |      |      |      |      |      |
|                                      | Fork lock-in position centre-centre |                | mm          | 216/368/445/521/673/760 |      |      |      |      |      |      |      |      |             |             |      |      |      |      |              |             |      |      |      |      |      |      |      |
|                                      | Tyres rear                          |                |             | 140/55-9                |      |      |      |      |      |      |      |      |             | 140/55-9    |      |      |      |      |              | 140/55-9    |      |      |      |      |      |      |      |
|                                      | Tyres front                         |                |             | 200/50-10               |      |      |      |      |      |      |      |      |             | 200/50-10   |      |      |      |      |              | 200/50-10   |      |      |      |      |      |      |      |
|                                      | Track front/rear                    |                | mm          | 942/172                 |      |      |      |      |      |      |      |      |             | 990 942/172 |      |      |      |      |              | 942/172 990 |      |      |      |      |      |      |      |
| Maximum width                        | B                                   | mm             | 1149        |                         |      |      |      |      |      |      |      |      | 1188 1149   |             |      |      |      |      | 1149 1188    |             |      |      |      |      |      |      |      |
| RX 20-20P,<br>RX 20-20PL             | Tyres rear                          |                | 150/75-8    |                         |      |      |      |      |      |      |      |      | 150/75-8    |             |      |      |      |      | 150/75-8     |             |      |      |      |      |      |      |      |
|                                      | Tyres front                         |                | 200/50-10   |                         |      |      |      |      |      |      |      |      | 200/50-10   |             |      |      |      |      | 200/50-10    |             |      |      |      |      |      |      |      |
|                                      | Track front/rear                    |                | 942/807     |                         |      |      |      |      |      |      |      |      | 990 942/807 |             |      |      |      |      | 942/807 990  |             |      |      |      |      |      |      |      |
|                                      | Maximum width                       | B              | mm          | 1149                    |      |      |      |      |      |      |      |      |             | 1188 1149   |      |      |      |      |              | 1149 1188   |      |      |      |      |      |      |      |

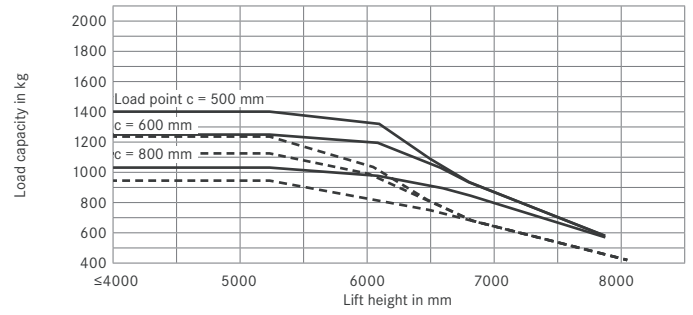
# RX 20 Electric Forklift Truck

## Basic Load Capacities

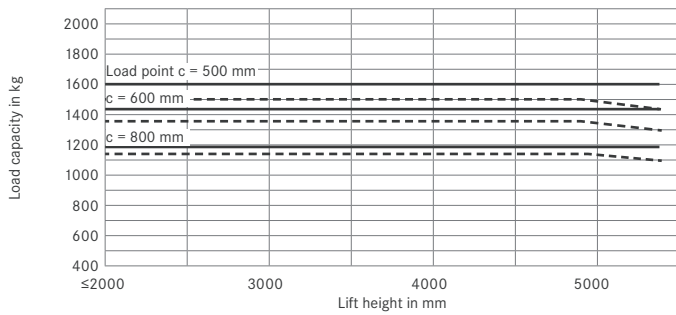
**RX 20-14C Duplex/NiHo mast single SE tyres**



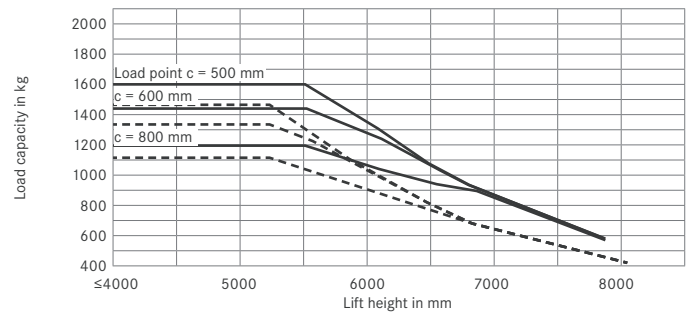
**RX 20-14C Triplex mast single SE tyres**



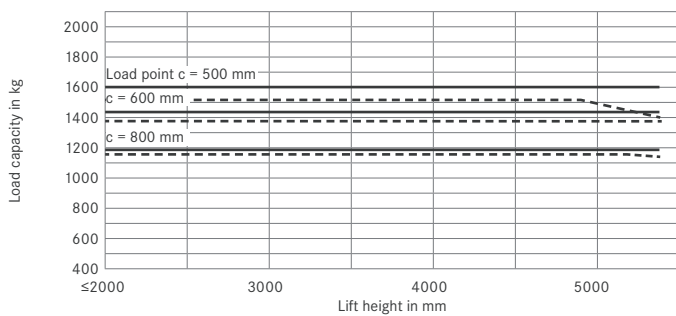
**RX 20-16C Duplex/NiHo mast single SE tyres**



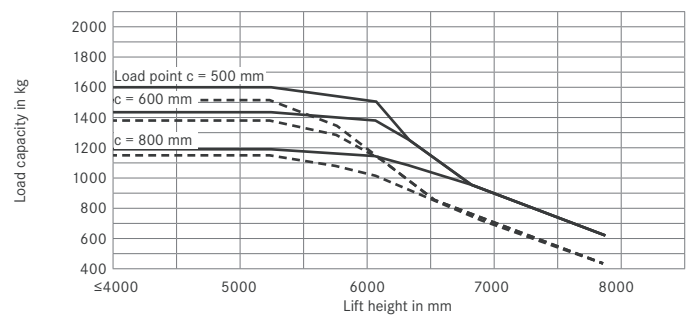
**RX 20-16C Triplex mast single SE tyres**



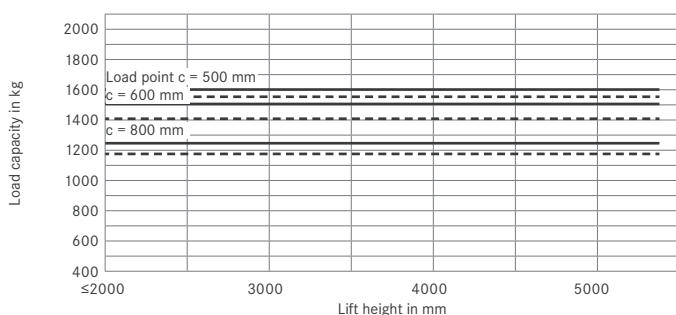
**RX 20-16/RX 20-16P Duplex/NiHo mast single SE tyres**



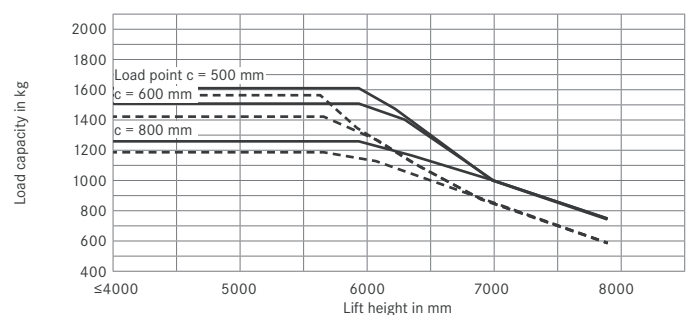
**RX 20-16/RX 20-16P Triplex mast single SE tyres**



**RX 20-16L/RX 20-16PL Duplex/NiHo mast single SE tyres**



**RX 20-16L/RX 20-16PL Triplex mast single SE tyres**

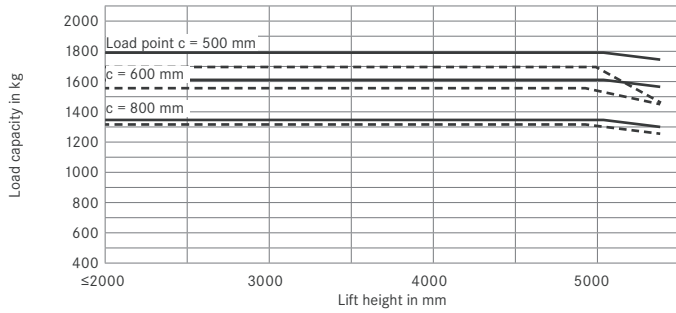


———— with standard forks    - - - - - With integrated side shifter and standard forks  
 The listed values may vary depending on the forklift equipment

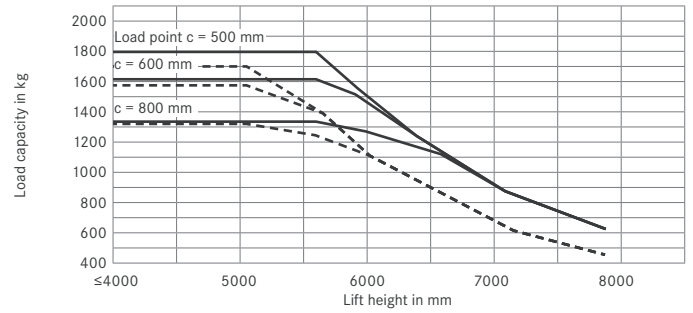
# RX 20 Electric Forklift Truck

## Basic Load Capacities

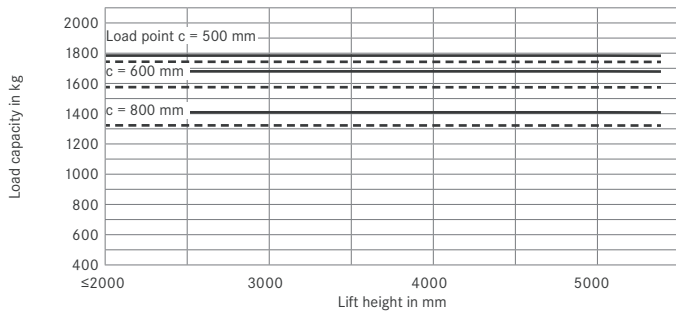
RX 20-18/RX 20-18P Duplex/NiHo mast single SE tyres



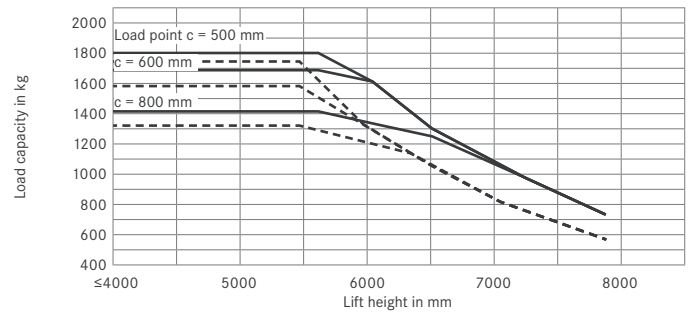
RX 20-18/RX 20-18P Triplex mast single SE tyres



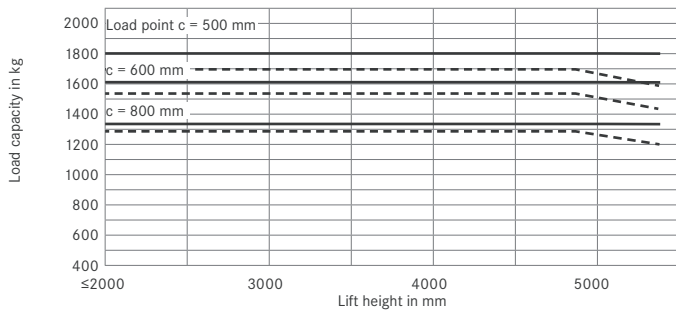
RX 20-18L Duplex/NiHo mast single SE tyres



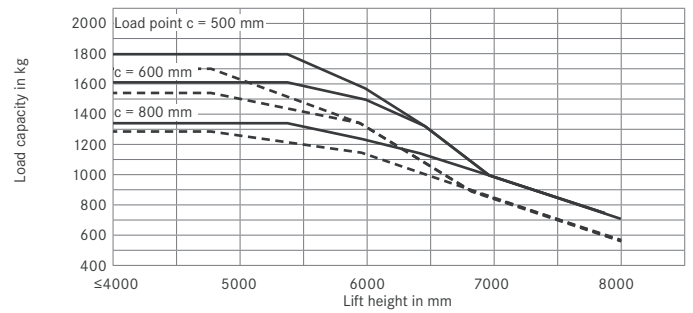
RX 20-18L Triplex mast single SE tyres



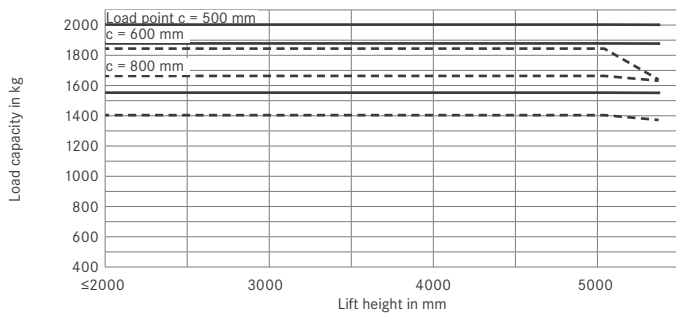
RX 20-18PL Duplex/NiHo mast single SE tyres



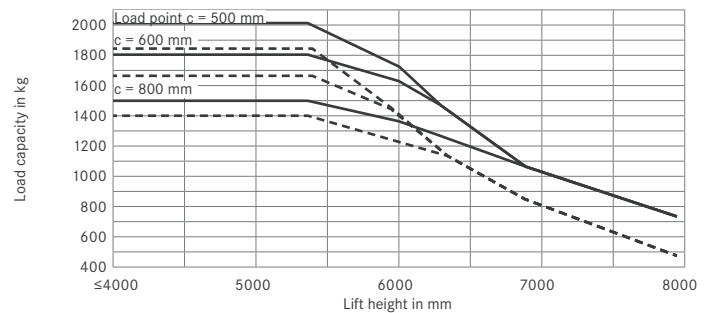
RX 20-18PL Triplex mast single SE tyres



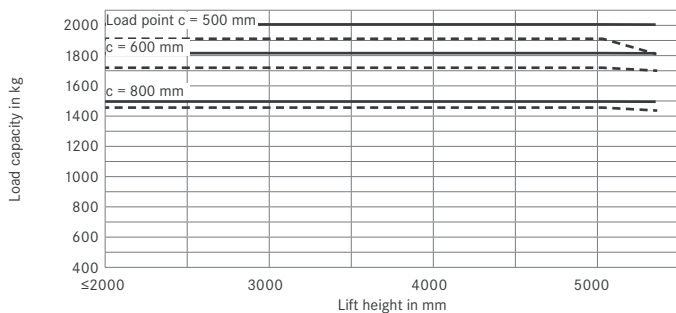
RX 20-20P Duplex/NiHo mast single SE tyres



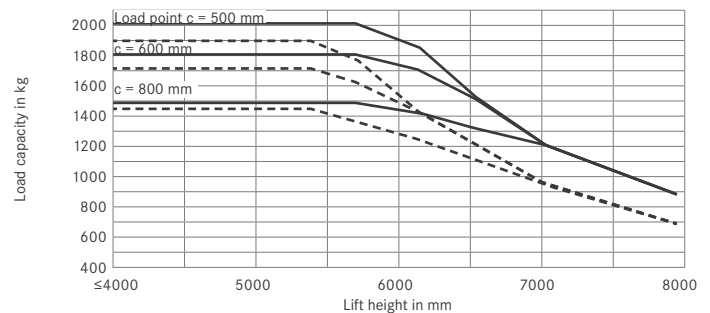
RX 20-20P Triplex mast single SE tyres



RX 20-20L/RX 20-20PL Duplex/NiHo mast single SE tyres



RX 20-20L/RX 20-20PL Triplex mast single SE tyres



———— with standard forks    - - - - - With integrated side shifter and standard forks  
 The listed values may vary depending on the forklift equipment



RX 20 Electric Forklift Truck  
Detailed Photos



Four-wheel version with fully enclosed driver's cabin for outdoor use

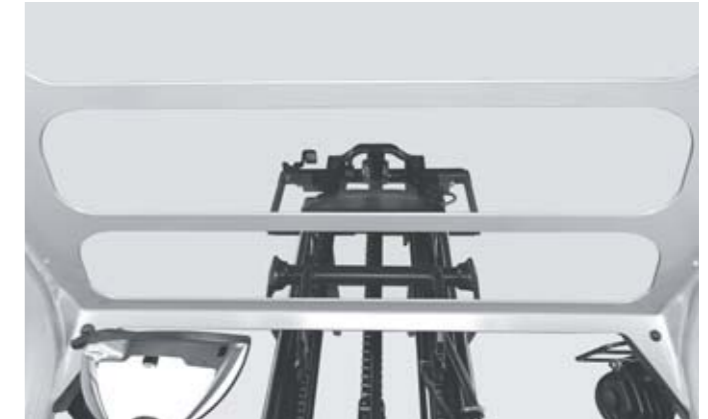


Optimal view of fork tips when loading HGVs

RX 20 Electric Forklift Truck  
Detailed Photos



View towards the front



View upwards



Access and large footwell



Driver's seat steering column adjustment up/down



Workspace with display and control units, Joystick 4Plus and heating



Reading light and radio with hands-free system and speakers



Wide seat with fabric cover and right armrest



Swivel seat facing to the rear and change of grip on the handle



Swivel seat for comfortable reversing



Battery changing with electric pallet truck

Maximum distance that can be driven in 60 minutes.

Example: With a load of 1,800 kg and a gradient of 18.6%, an RX 20-18P can drive a distance of 330 m up to ten times in an hour.

|                   | Gradient | Maximum distance in m |           |          |           |           |            |          |           |           |            |           |           |            |  |
|-------------------|----------|-----------------------|-----------|----------|-----------|-----------|------------|----------|-----------|-----------|------------|-----------|-----------|------------|--|
|                   |          | RX 20-14C             | RX 20-16C | RX 20-16 | RX 20-16L | RX 20-16P | RX 20-16PL | RX 20-18 | RX 20-18L | RX 20-18P | RX 20-18PL | RX 20-20L | RX 20-20P | RX 20-20PL |  |
| With nominal load | 22.9%    | 1860                  | 1501      | 1502     | 1501      | 1517      | 1509       | 1423     | 1431      | 1431      | 1439       | 1079      | 1054      | 1079       |  |
|                   | 18.6%    | 3350                  | 3380      | 3458     | 3456      | 3559      | 3442       | 3284     | 3300      | 3300      | 3300       | 2611      | 2546      | 2611       |  |
|                   | 1.2%     | 7770                  | 7531      | 7663     | 7489      | 7741      | 7533       | 7322     | 7346      | 7269      | 7582       | 6857      | 6870      | 6883       |  |
|                   | 6.1%     | 14683                 | 13751     | 13761    | 13450     | 14070     | 13637      | 13320    | 13318     | 13164     | 13320      | 12186     | 12187     | 12500      |  |
| Without load      | 25.1%    | 3421                  | 3221      | 3285     | 3213      | 3325      | 3213       | 3151     | 3134      | 3137      | 3215       | 3027      | 3196      | 3027       |  |
|                   | 18.1%    | 8230                  | 8037      | 8165     | 7884      | 8244      | 8017       | 7876     | 7762      | 7768      | 7949       | 5632      | 5610      | 5642       |  |
|                   | 9.6%     | 15316                 | 14432     | 15066    | 14402     | 14937     | 14402      | 13969    | 13958     | 13969     | 14183      | 13570     | 13483     | 13601      |  |
|                   | 4.7%     | 20000                 | 20000     | 20000    | 20000     | 20000     | 20000      | 20000    | 20000     | 20000     | 20000      | 20000     | 20000     | 20000      |  |

Dry rough concrete = coefficient of friction 0.80  
Battery: Standard as per data sheet; speed is variable

## RX 20 Electric Forklift Truck Electrifying

---

Highest handling performance of its class

Highest range with one battery charge

Best all-round visibility for high work safety

High agility and precise manoeuvrability



The STILL RX 20 offers more of everything: more power, more dynamism and more availability. The latest generation of STILL's top-selling electric forklift truck is the best RX 20 that STILL ever developed. There is the new safety and communication centre for safety and handling performance (STILL Easy Control): The driver can activate performance functions depending on the application and receives all important safety information at a glance. With the safest and quickest battery change and the largest Li-Ion battery capacity of its class, the RX 20 can be used around the clock. Dynamic acceleration, 20 km/h maximum speed, precise manoeuvrability – with these trademark features, the RX 20 achieves the highest ever handling performance in the load range from 1.4 to 2 tonnes.

When it comes to narrow aisle widths in heavy-duty two- or three-shift applications, the RX 20 really shows its strengths. This includes beverages and hardware stores, the receipt and dispatch of goods in trade and logistics applications, or production supply in the mechanical engineering and automotive industries. Equipped with Li-Ion technology, the RX 20 Li-Ion is number one for availability. Just 30 minutes of charging extend the usage time by several operating hours. The compact electric forklift truck gets its energy from Li-Ion batteries which are suitable for cold storage. When in operation, an intelligent electronics system monitors every battery cell in real time. Safety, performance and availability are what make the RX 20 Li-Ion a uniquely efficient conveyor of goods.

### Extensive Equipment

---

#### Power

---

- Strong performance: lifts up to 2 tonnes with a load centre of 500 mm
- Effective movement of goods: driving speed of up to 20 km/h, dynamic driving behaviour and high lifting speeds
- Performance Boost at the push of a button: Sprint mode for managing peak loads with the highest handling performance on the market
- Consistently powerful: largest Li-Ion battery capacity and fast lateral battery change
- Always available: optional Li-Ion technology enables use around the clock through short interim charging

#### Precision

---

- Adjustable driving modes: maximum handling performance or best efficiency
- Adaptable driving behaviour: individual adjustment of driving speed, accelerating and lifting behaviour
- Precise load handling: sensitive control of the lifting speed through state-of-the-art hydraulics operation
- More handling performance when stacking onto high shelves: Mast vertical position at the push of a button

#### Ergonomics

---

- Comfortable sense of space: spacious driver's cab with large footwell and ample storage space
- Choose from a range of individual control options: multi-lever, mini-lever or Joystick 4Plus
- Easy reversing: handle on the rear bar
- Silent operation: exceptionally quiet lifting and lowering of the forks

#### Compactness

---

- Powerful in the narrowest of spaces: compact truck dimensions and tremendous manoeuvrability
- Outstanding manoeuvrability: combination axle for four-wheel trucks enables the smallest turning radius of its class
- Low passage heights of less than 2 metres also optionally available even for wagon loading

#### Safety

---

- Perfect all-round visibility: narrow mast and large windows on all sides
- Outstanding driving stability: automatic speed adjustment when cornering with the Curve Speed Control assistance function
- Safety through intelligence: The display and control units monitor and control all safety and performance functions

#### Environmental Responsibility

---

- Low energy consumption: high output efficiency through modern drive technology
- Energy conservation at the push of a button: Blue-Q efficiency mode cuts energy consumption by up to 20%
- Environmental protection in practice: over 98% of all installed materials are recyclable

# RX 20 Electric Forklift Truck

## Equipment Variants



|  | RX 20-14C<br>RX 20-16C   | RX 20-16<br>RX 20-18 | RX 20-16L<br>RX 20-18L<br>RX 20-20L | RX 20-16P<br>RX 20-18P<br>RX 20-20P | RX 20-16PL<br>RX 20-18PL<br>RX 20-20PL |   |
|--|--|----------------------|-------------------------------------|-------------------------------------|--|---|
| Driver's cab   | Weather-protected, canvas or full cab  | ○                    | ○                                   | ○                                   | ○                                      | ○ |
|  | Drive-in overhead guard with Makrolon roof   | ○                    | ○                                   | ○                                   | ○                                      | ○ |
|  | Overhead guard height 1949 mm for low passages   | ○                    | ○                                   | ○                                   | ○                                      | ○ |
|  | Window made of either green-tinted or Makrolon laminated safety glass                                      | ○                    | ○                                   | ○                                   | ○                                      | ○ |
|  | Pad with clipboard (removable)   | ○                    | ○                                   | ○                                   | ○                                      | ○ |
|  | MSG 65 Grammer seat with leatherette upholstery  | ●                    | ●                                   | ●                                   | ●                                      | ● |
|  | Seat with fabric cover, air suspension, leatherette upholstery, lumbar support, height-adjustable backrest | ○                    | ○                                   | ○                                   | ○                                      | ○ |
|  | Seat heating   | ○                    | ○                                   | ○                                   | ○                                      | ○ |
|  | Swivel seat can be rotated to the right  | ○                    | ○                                   | ○                                   | ○                                      | ○ |
|  | Handle on the front and back of the overhead guard   | ●                    | ●                                   | ●                                   | ●                                      | ● |
|  | Horizontal spring plate for driver's seat to minimise human vibrations                                     | ○                    | ○                                   | ○                                   | ○                                      | ○ |
|  | Roof liner with interior lighting  | ○                    | ○                                   | ○                                   | ○                                      | ○ |
|  | DAB+ radio/MP3 player with USB connection and Bluetooth  | ○                    | ○                                   | ○                                   | ○                                      | ○ |
|  | Electrical heating 2000 W incl. defrosting blaster   | ○                    | ○                                   | ○                                   | ○                                      | ○ |
|  | Adjustable roof window for instant cabin ventilation   | ○                    | ○                                   | ○                                   | ○                                      | ○ |
|  | Cold store variant*1, display and hydraulic oil suitable for low temperature ranges                        | ○                    | ○                                   | ○                                   | ○                                      | ○ |
|  | Clamp mount for mobile phone, mounted adjustably on the overhead guard bar                                 | ○                    | ○                                   | ○                                   | ○                                      | ○ |
|  | Colour display and intuitive menu navigation   | ●                    | ●                                   | ●                                   | ●                                      | ● |
| Mast   | Free view mast available in duplex, NiHo and triplex versions  | ○                    | ○                                   | ○                                   | ○                                      | ○ |
|  | Load backrest  | ○                    | ○                                   | ○                                   | ○                                      | ○ |
|  | Mast vertical position   | ○                    | ○                                   | ○                                   | ○                                      | ○ |
|  | Bellows protect the tilt cylinder from dust and moisture   | ○                    | ○                                   | ○                                   | ○                                      | ○ |
|  | Fork wear protection   | ○                    | ○                                   | ○                                   | ○                                      | ○ |
| Hydraulics   | Display showing tilt angle and cushioned lowering in the tilt end positions                                | ○                    | ○                                   | ○                                   | ○                                      | ○ |
|  | Proportional valve technology for especially sensitive movements   | ○                    | ○                                   | ○                                   | ○                                      | ○ |
|  | Multi-lever operation  | ●                    | ●                                   | ●                                   | ●                                      | ● |
|  | Mini-lever with armrest, 2, 3 or 4 levers  | ○                    | ○                                   | ○                                   | ○                                      | ○ |
| Drives   | Joystick 4Plus   | ○                    | ○                                   | ○                                   | ○                                      | ○ |
|  | Low operating costs due to low energy consumption  | ●                    | ●                                   | ●                                   | ●                                      | ● |
|  | 3 pre-set and 2 freely configurable driving modes  | ●                    | ●                                   | ●                                   | ●                                      | ● |
|  | Blue-Q energy-saving mode  | ●                    | ●                                   | ●                                   | ●                                      | ● |
|  | Display showing energy consumption and remaining driving time based on current charge                      | ●                    | ●                                   | ●                                   | ●                                      | ● |
|  | Maintenance-free drives for driving, steering and lifting  | ●                    | ●                                   | ●                                   | ●                                      | ● |
|  | Enclosed components to protect against dust and damp   | ●                    | ●                                   | ●                                   | ●                                      | ● |
|  | Operating hours counter only operational with drive and lifting motor                                      | ●                    | ●                                   | ●                                   | ●                                      | ● |
|  | Li-Ion battery exchangeable 1:1  | ○                    | ○                                   | ○                                   | ○                                      | ○ |
|  | Hydraulic battery replacement system for convenient changing using a crane                                 | —                    | ○                                   | ○                                   | ○                                      | ○ |
| Option to switch from battery circuit A to battery circuit B | —  | ○                    | —                                   | ○                                   | —                                      |   |
| Brake  | Sprint mode for highest handling performance at the push of a button                                       | ●                    | ●                                   | ●                                   | ●                                      | ● |
|  | Wear-free disc brakes that run in an oil bath  | ●                    | ●                                   | ●                                   | ●                                      | ● |
|  | Energy recovery when braking   | ●                    | ●                                   | ●                                   | ●                                      | ● |
|  | Mechanical parking brake   | ●                    | ●                                   | ●                                   | ●                                      | ● |
| Safety   | Electromechanical parking brake  | ○                    | ○                                   | ○                                   | ○                                      | ○ |
|  | EasyBelt restraint system for quick and safe fastening and unfastening                                     | ○                    | ○                                   | ○                                   | ○                                      | ○ |
|  | Sauerermann type HRS-E/ERS duo restraint system or IWS restraint system with strap opening on the left     | ○                    | ○                                   | ○                                   | ○                                      | ○ |
|  | Headlights and LED lighting performance  | ○                    | ○                                   | ○                                   | ○                                      | ○ |
|  | Driver-adjusted speed limiter  | ○                    | ○                                   | ○                                   | ○                                      | ○ |
|  | STILL Safety Light 4Plus warning device  | ○                    | ○                                   | ○                                   | ○                                      | ○ |
|  | Curve Speed Control  | ●                    | ●                                   | ●                                   | ●                                      | ● |
|  | Speed limitation when fork carriage is raised  | ○                    | ○                                   | ○                                   | ○                                      | ○ |
|  | Load measuring   | ○                    | ○                                   | ○                                   | ○                                      | ○ |
|  | Panoramic mirror   | ○                    | ○                                   | ○                                   | ○                                      | ○ |
|  | Direction can be changed both left- and right-handed via mini-console                                      | ○                    | ○                                   | ○                                   | ○                                      | ○ |
|  | FleetManager: access rights, shock detection, reports  | ○                    | ○                                   | ○                                   | ○                                      | ○ |
|  | STILL Mast Control tilt stability system*2   | ○                    | ○                                   | ○                                   | ○                                      | ○ |
| Overload protection  | ○  | ○                    | ○                                   | ○                                   | ○                                      |   |
| Intelligent seat belt control                                | ●  | ●                    | ●                                   | ●                                   | ●                                      |   |
| Rockinger trailer coupling                                   | ○  | ○                    | ○                                   | ○                                   | ○                                      |   |

● Standard ○ Optional — Not available

\*1 available from 1 July 2018

\*2 available from 1 April 2018

# STILL



STILL Materials Handling Ltd  
Aston Way  
Leyland Preston  
PR26 7UX  
Tel.: +44 (0)845 603 6827

STILL Materials Handling Ltd  
Jacks Way  
Hill Barton  
Business Park  
Clyst St. Mary  
Exeter  
EX5 1FG  
Tel.: +44 (0)345 603 6827  
info@still.co.uk

**For further information please visit:**

**[www.still.co.uk](http://www.still.co.uk)**

STILL is certified in the following areas: Quality management, occupational safety, environmental protection and energy management.



first in intralogistics